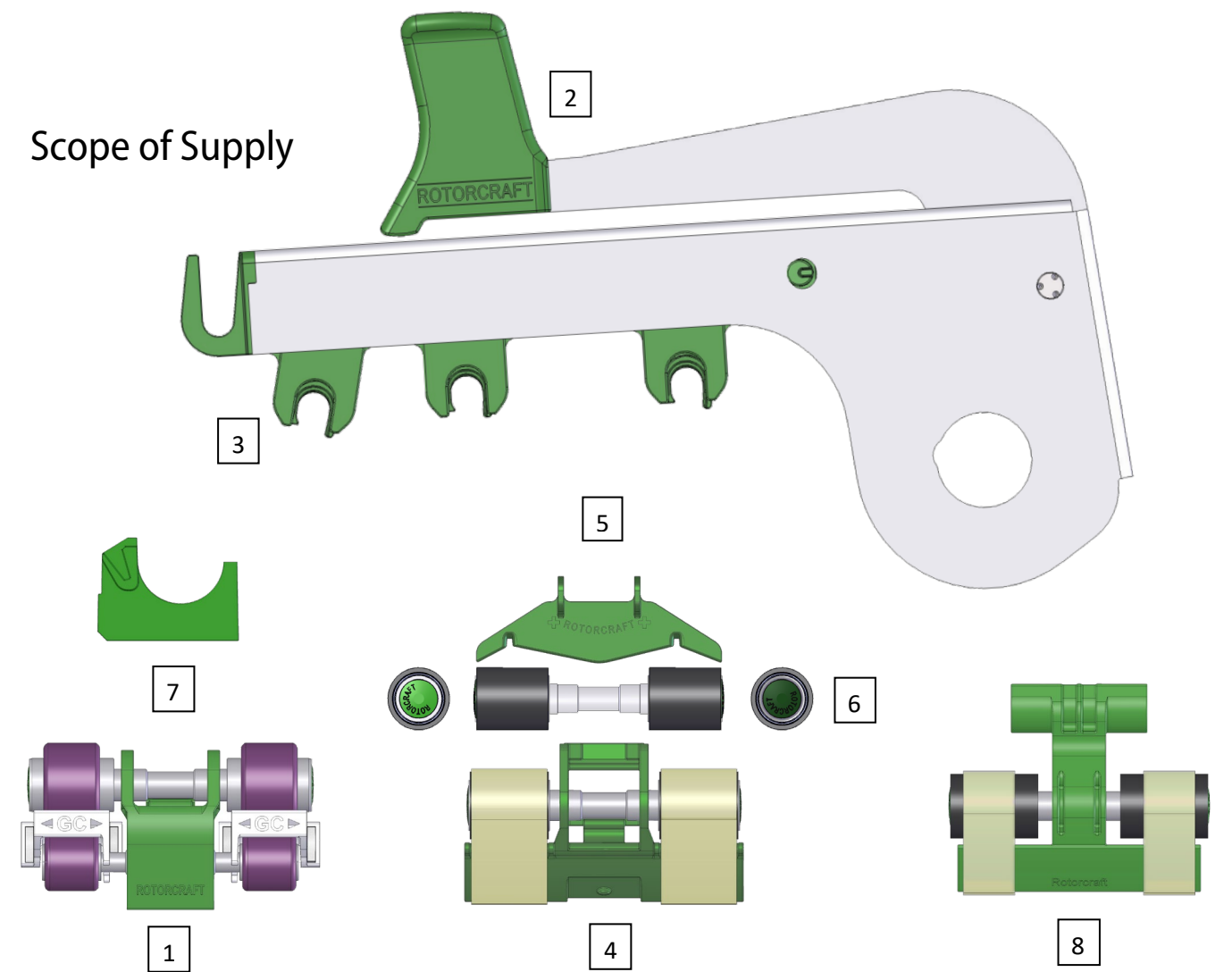


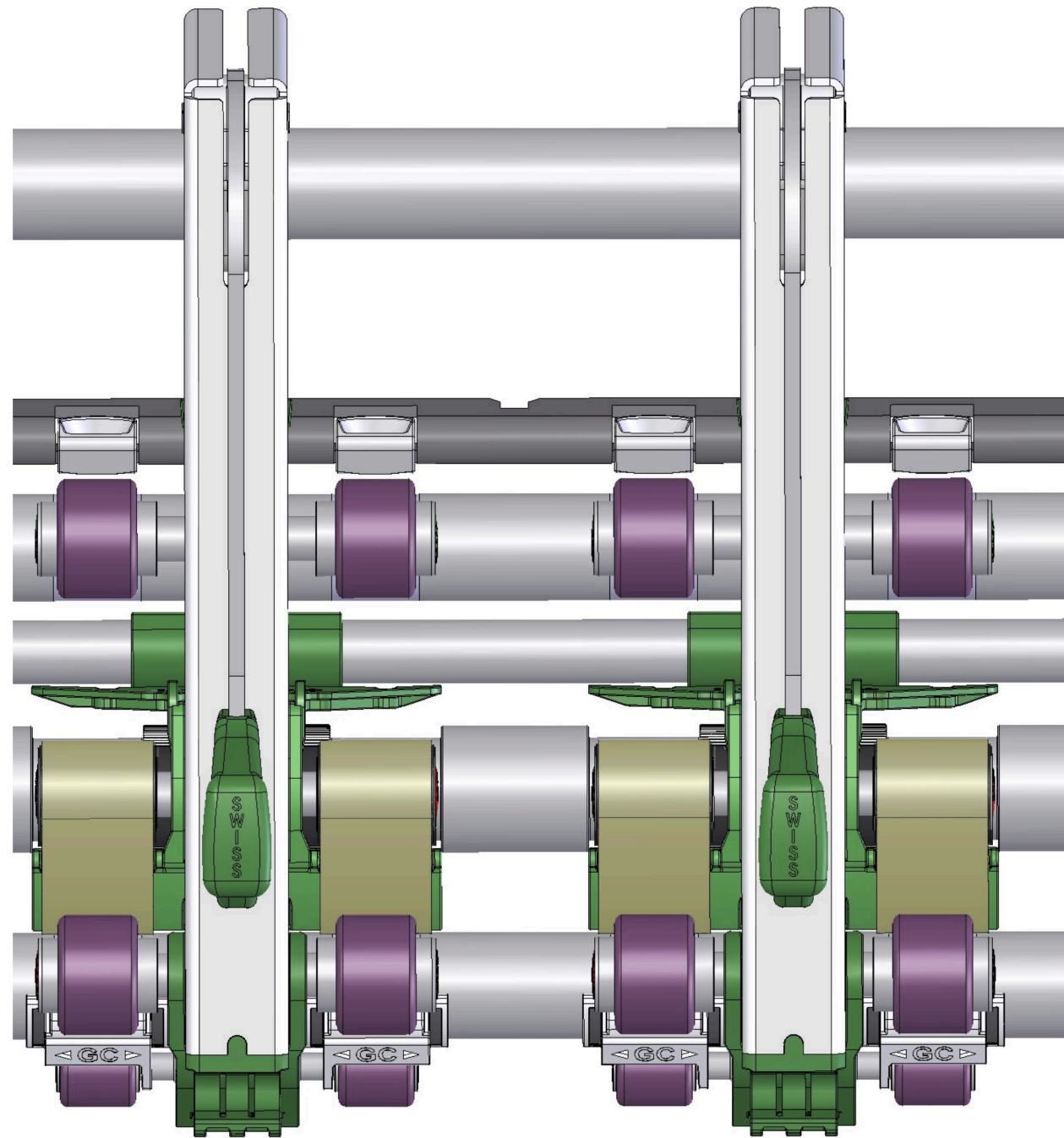
RT3 Toparm  
Existing and new frames



- RT3**
- 1. GC-P GreenCompact assembly
  - 2. Toparm RT3
  - 3. Toproller-inserts 9.5x16 or 10x20
  - 4. Apron cradle assembly
  - 5. Deflector and Roving guide
  - 6. SL-Toprollers
  - 7. Bearing Slide

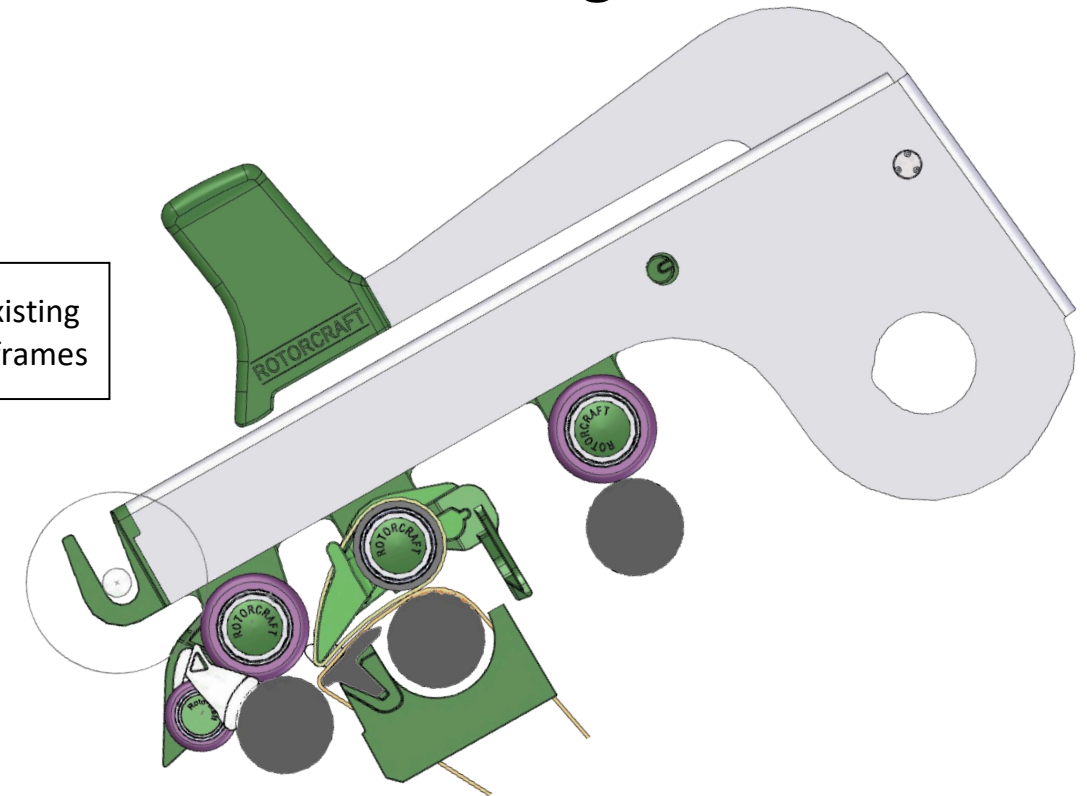
- RT3 NGD**
- 1. GC-P GreenCompact assembly
  - 2. Toparm
  - 3. Toproller-inserts 9.5x16 or 10x20
  - 4. Apron cradle assembly
  - 5. Deflector and Roving guide
  - 6. SL-Toprollers
  - 8. NGD/NGS Bottom cradle assembly

Natural and synthetic  
fibers up to 40 mm –  
No Setscrews

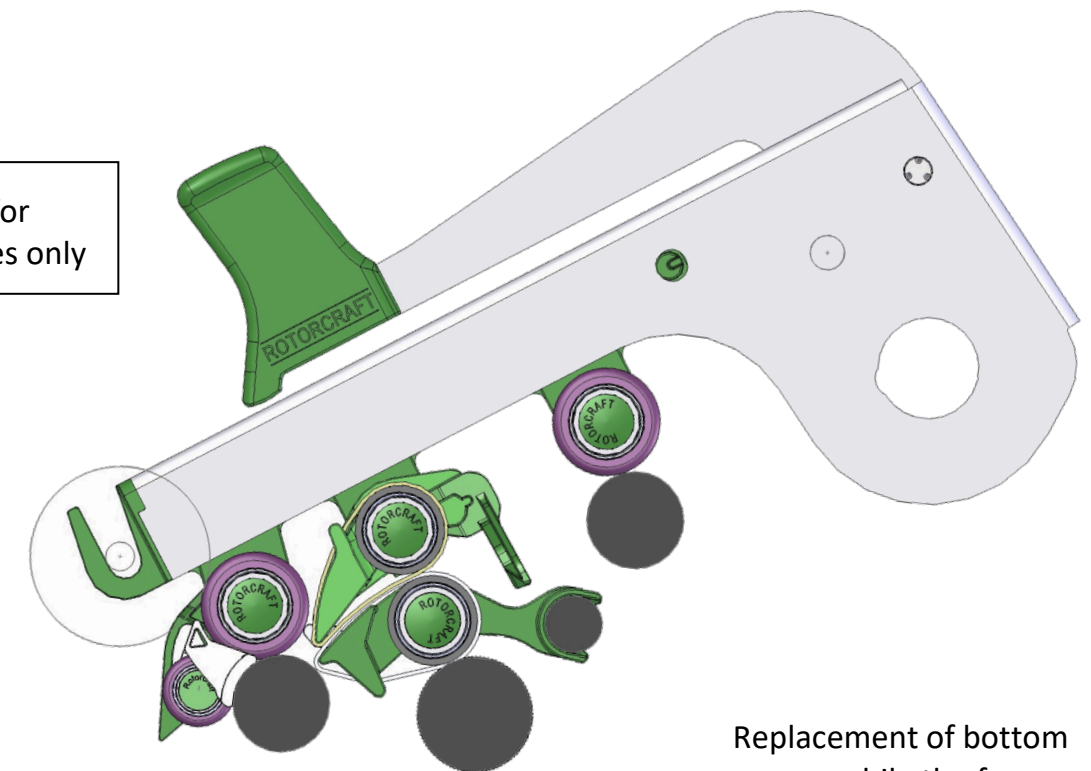


## RT3-Drafting

RT3 for existing  
and new frames



RT3 NGD for  
new frames only



Replacement of bottom  
aprons while the frame  
is running