



Swiss Spinning Solutions | Hans Stahlecker

GreenCompact Premium
PK2025 Toyota/KTTM frames

Spinning News SN25-1

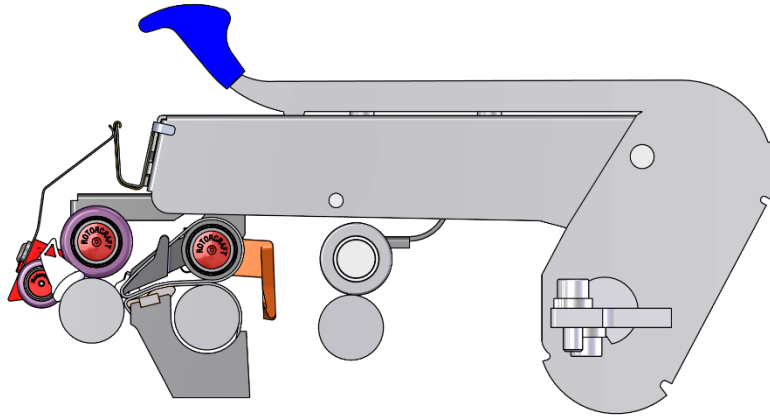
GreenCompact Premium to fit Toparm PK2025 on Toyota/KTTM frames

GreenCompact (GC) provides optimization of production and compacting without the use of additional power.

Please ask the Rotorcraft sales staff to organize spinning trials for you.

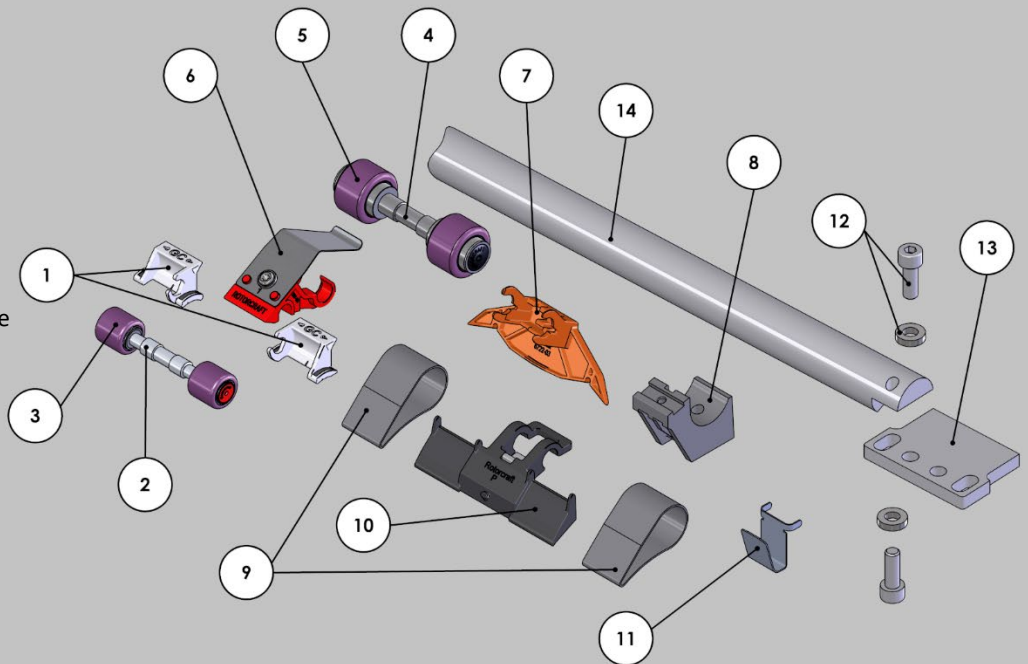
Reducing TPI: TPI can be decreased to increase the production volume.

Increasing the spindle speed (RPM): The spindle speed can be increased while keeping the level of yarn breaks the same.



Scope of supply

1. Compactors L/R
2. DTR Delivery top roller
3. */** Cots DTR
4. FTR Front top roller
5. */**Cots FTR
6. TRH Top roller holder
7. Deflector or Roving guide
8. Bearing Slide
9. *Top-aprons
10. P-Cradle
11. Cleaner roller holder
12. Screws, washers
13. Plate
14. Holder bar



* Optional supply

** Shore hardness upon choice

 **ROTORCRAFT**

Swiss Spinning Solutions | Hans Stahlecker

Rotorcraft AG
Bafflesstrasse 14, CH-9450 Altstätten

Switzerland

Tel. +41 71 757 89 60

E-Mail info@oe-rotorcraft.com

Internet www.oe-rotorcraft.com